

## 9123/5123 Self-Aligning Accessories

### FEATURES

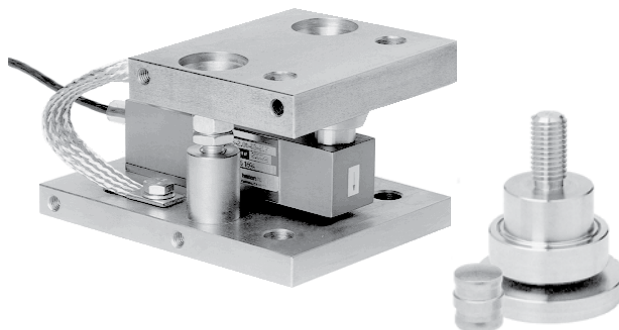
- Capacities: 0.5–5T
- Hardened components at all load bearing surfaces
- Rocker pin load introduction
- Built-in horizontal movement control and lift-off protection
- Load cell (re)placement after installation of the mount
- **Optional**
  - Stainless steel or nickel-plated steel versions available
  - Stay rod assembly

### APPLICATIONS

- Process control
- Batch weighing
- Silo/hopper weighing

### DESCRIPTION

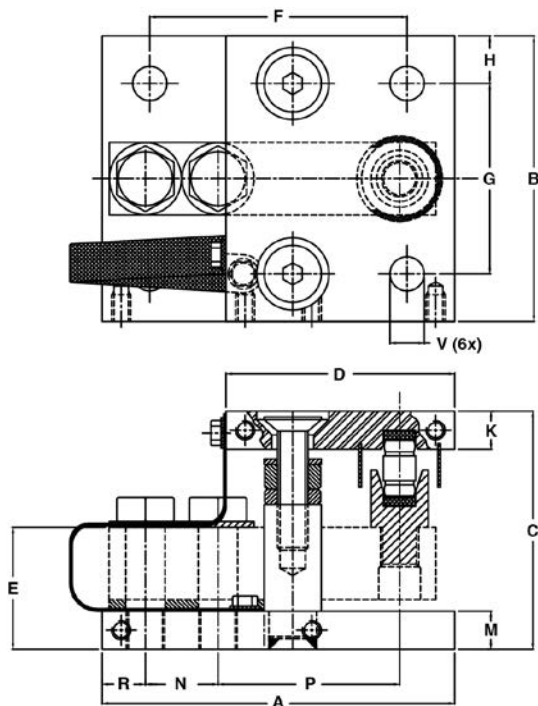
The 9123/5123 self-aligning silo mount, combined with the 9123/5123 load cell family, provides weighing assemblies suitable for process control, batch weighing, silo/hopper, and belt scale applications.



The 9123/5123 foot assembly is an ideal solution for medium and high capacity platform scales.

The 9123/5123 mount and foot are based on a rocker pin design, combining excellent load introduction to the transducer with an overall low profile. Hardened components are used at all load bearing surfaces. The stainless steel construction guarantees long-term reliability, even in the harshest environments.

### OUTLINE DIMENSIONS in millimeters



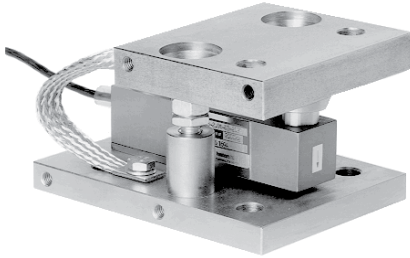
CAPACITY	0.5–2T	5T
A	160	185
B	120	150
C	90	125
D	100	120
E	50.8	64
F	100	135
G	80	100
H	20	25
K	20	20
M	15	20
N	25.4	38.1
P	76.2	95.3
R	32.2	22.7
V	Ø14	Ø18

9123/5123 Self-Aligning Accessories

**ACCESSORIES**

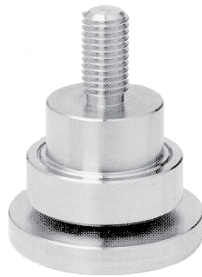
**Self-Aligning Mount**

The 9123/5123 mount permits controlled horizontal movement in all directions. The design allows the load cell to be (re)placed after installation of the mount. The critical load introduction area is mechanically protected.



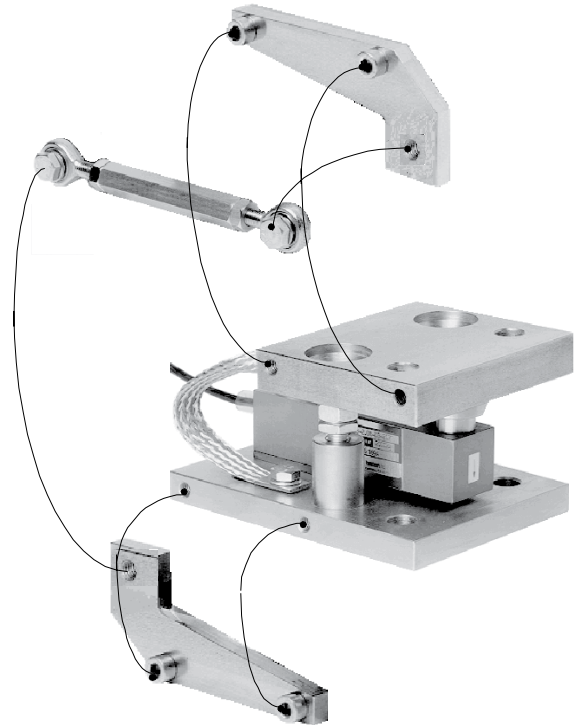
**Height Adjustable Foot**

The stainless steel foot, which has approximately 10 mm height adjustment, provides excellent load introduction to the load cell. The foot allows flexibility in platform design without compromising overall system performance.



**Stay Rod Assembly**

If major load movement is anticipated stay rods should be used to restrain a vessel or platform. The 9123/5123 stay rod assembly can be bolted to the mount prior to or after its installation.



**ADDITIONAL INFORMATION**

MOUNT/FOOT	0.5-2T	5T
<b>Self-aligning mount</b>		
Height, assembly + 9123/5123 (mm)	90	125
Assembly guidelines	AG 10/06-103/02	
Outline drawing—stainless steel	499057-10	499058-10
Outline drawing—nickel-plated	499057-00	499058-00
<b>Height adjustable foot</b>		
Height, assembly + 9123/5123 (mm)	71+10	101+10
Outline drawing—stainless steel	499081	499082
<b>Stay rod assembly</b>		
Assembly guidelines	AG 09/06-200/02	
Outline drawing—stainless steel	499068-10	499069-10
Outline drawing—nickel-plated	499068-00	499069-00